



GeoWood Flooring

Installation Guide

Glue Down

(888) 788-2254
www.CaliBamboo.com

Flooring System



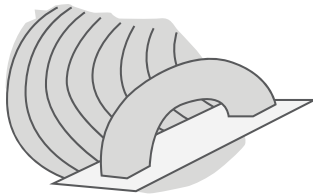
Flooring Accessories



Glue Down GeoWood Plank Installation

Before you begin installation, remember to P.A.C.E. yourself with the checklist below. Full installation instructions and maintenance guidelines can also be found online at www.CaliBamboo.com

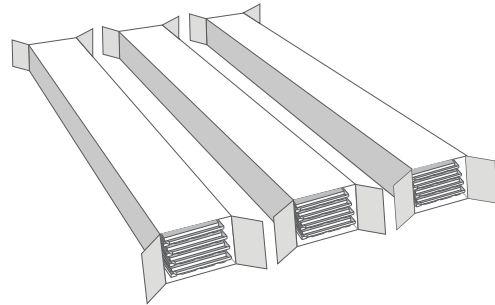
PACE PREPARE THE SUBFLOOR



Required Adhesive will act as Moisture Barrier

Make sure the subfloor is flat, level, clean and free of debris. New concrete must be cured for at least 60 days. Test the subfloor moisture prior to installation and apply an appropriate moisture barrier on concrete subfloors or a vapor barrier on plywood. (Required adhesive will act as moisture/vapor barrier.)

PACE ACCLIMATE FLOORING



Acclimate Your GeoWood Flooring for 24 hrs

For GeoWood flooring, lay boxes on the floor and only open box ends as shown above. Acclimate your floor as close to the installation area as possible, for 24 hours in normal living conditions.

PACE CONTROL ENVIRONMENT



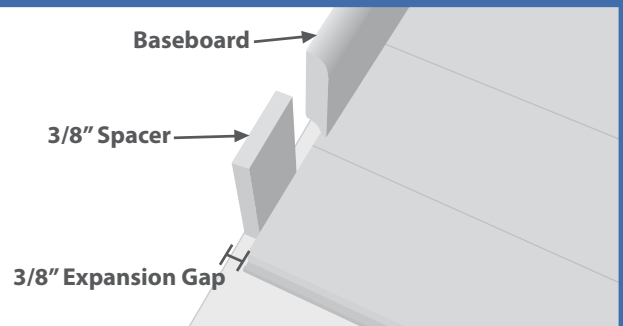
50-100°F



35-65% rH

GeoWood flooring can be used in areas ranging from 50°F to 100°F. The ideal indoor humidity range for GeoWood is 35-65% relative humidity.

PACE EXPANSION GAPS



Leave at least 3/8" expansion spaces between flooring and ALL vertical objects (walls, cabinets, pipes, etc.) Large flooring runs may require additional expansion space. **Transition pieces become optional with Glue-Down method.** Undercut door jambs and casings to provide adequate expansion space. Cali Bamboo® does not recommend screwing or nailing cabinetry or other permanent fixtures to the flooring.

Glue-Down GeoWood Plank Installation

Note: Flooring not used for its intended purpose will not be covered under warranty.

- Upon ordering of GeoWood floor materials consider adding an additional 5% to allow for cutting waste and grading allowance.
- Cali Bamboo® flooring is manufactured in accordance with accepted industry standards, which permit manufacturing, grading and natural deficiencies not to exceed 5%. If more than 5% of the material is unusable, do not install the flooring. Immediately contact the distributor/retailer from which the flooring was purchased. No claim will be accepted for materials with visible defects once they are installed. Installation of any material serves as acceptance of the material delivered.
- Installer/Owner assumes all responsibility to inspect all flooring before installation. Planks deemed unacceptable in appearance can be placed in closets, near walls or simply not be used. Pieces with glaring defects that can be seen from a standing position should be cut off or not be used as use constitutes acceptance.
- It is the responsibility of the installer/homeowner to determine if the job site conditions, environmental conditions and sub-floor are acceptable for the installation of Cali Bamboo® GeoWood Plank flooring. Prior to installation, the installer/ owner must determine that the jobsite meets or exceeds all applicable World Floor Covering Association Installation Guidelines. Cali Bamboo® does NOT warrant against failure resulting from or connected with subfloor, job site damage, or environmental deficiencies after installation. Cali Bamboo® makes no warranty or guarantee of the quality of the chosen installer's work or of a particular installation performed by him or her. Cali Bamboo® disclaims all liability for any errors or improprieties in the installation of its products by an installer.
- Floor noise is normal and will vary from one installation type to the next. Occasional noise is due to structural movement and may relate to sub-floor type, flatness, deflection, and/or related to the fasteners, changes in environmental conditions, relative humidity and the amount of topside pressure applied to the flooring. For these reasons floor noise is not considered a product or manufacturer defect.
- During installation, it is the installer's responsibility to document all jobsite conditions and measurements including the installation date, site relative humidity, temperature, and subfloor moisture content. This information must be retained by the installer and left with the property owner as a permanent record. For a complete list of points to address prior to installation, refer to the NWFA Jobsite checklist.
- Do not install flooring under permanent or fixed cabinetry.

Transport, Storage, Acclimation

- Transport and store cartons in lay down, flat position.
- Stack boxes no more than 8 cartons (4ft) high. Keep away from direct sunlight
- Room temperature and relative humidity must be consistent with year-round living conditions for at least 5 days prior to installation.
- Due to the nature of Cali Bamboo GeoWood, typical acclimation is for 24 hours. Flooring does not need to be taken out of the boxes, just opened at the ends.

Pre-Installation Preparation

Prior to installation, inspect planks in daylight for visible faults/damage and color/print. Check if subfloor/site conditions comply with the specifications described in these instructions. If you are not satisfied do not install and contact your supplier. Cali Bamboo® is not responsible for flooring that is installed with visible defects or incorrect color/print.

Recommended Tools

- Tape measure
- Chalk line
- Utility knife
- Rubber mallet
- Miter saw
- 1/16" x 1/16" x 1/16" square notch trowel
- Pencil
- 3/8" spacers
- Table saw
- Double-sided prybar
- Tapping block

Subfloor Requirements

General

- General Soft subfloors (e.g. carpets) must be removed
- The subfloor must be level – Flat to 3/16” per 10-foot radius
- The subfloor must be clean = Thoroughly swept and free of all debris
- The subfloor must be dry
- The subfloor must be structurally sound

Even though Cali Bamboo® GeoWood Plank Flooring is water resistant it is NOT considered a moisture barrier. Hence, we always require laying down a vapor barrier on plywood and a moisture barrier on concrete. When using the glue down method for install the glue will act as your vapor/moisture barrier.

Acceptable Subfloor Types

- CD Exposure 1 plywood (grade stamped US PS1-95)
- OSB Exposure 1 subfloor panels
- Underlayment grade particleboard
- Existing wood (must be sanded to its raw state)
- Concrete
- Light weight concrete (may require a primer – see Titebond manufacturer for details)
- Ceramic tile (check with Titebond manufacture to see what prep will be needed: patch, self-lever, primer, etc.)

Glue Down Details

Cali Bamboo® requires the use of Titebond 670 when gluing Cali GeoWood™. Make sure to follow all Titebond 670 guidelines which include but are not limited to:

Make sure to follow all Titebond guidelines which include but are not limited to:

- Plywood/OSB/Particle board subfloor moisture must not be over 13%
- Concrete Moisture should not read over 8lbs when using a Calcium Chloride test or 90% RH when using an in-situ probe or Lignomat SDM
- Concrete alkaline levels should not be more than 9.0 pH
- Use a 1/16” Square notch trowel
- For more details please see Titebond 670 product page below:
<http://www.titebond.com/product.aspx?id=c4128646-56d5-405d-8e6f-3333eccf6d1b>

Wood subfloors must be securely fastened. A best practice is to nail or screw every 6” along joists to avoid squeaking. If leveling is needed, sand down high spots and fill in low spots with a Portland based leveling compound.

Tip: If your plywood, OSB or particle board subfloor is reading higher than 13% MC it is advised to find and correct the source of moisture intrusion before continuing installation. Cali Bamboo® is not responsible for any damage caused by moisture intrusion.

Concrete subfloors must be fully cured and at least 60 days old, preferably 90 days old. If leveling is needed, grind down high spots and level low spots with a Portland based leveling compound. Slabs on or below grade must be free of hydrostatic pressure.

Important: Cali Bamboo® GeoWood Plank flooring is water resistant, however moisture intrusions from concrete hydrostatic pressure, flooding, or plumbing leaks, along with high levels of alkalinity, can affect the floor over time. Moisture can also be trapped below the flooring and create mold or mildew. The installer, not Cali Bamboo® is responsible for making sure the concrete moisture and relative humidity are suitable prior to installing this floor.

Crawlspace must have a minimum of a 6-mil polyethylene sheeting covering any exposed earth. Crawl spaces must have adequate ventilation and a minimum of 18” of air space between the ground and the floor joist.

Radiant Heat Systems

Cali Bamboo® GeoWood flooring is not recommended for use with radiant heat system.

Glue-Down Installation of GeoWood Flooring by Cali Bamboo®

Before laying: Measure the room at right angle to the direction of the planks. Planks in the final row should be at least 2" wide. Due to this rule, planks in the first row can be cut to smaller size. Shuffle planks to obtain a pleasant blend of shades. Lay planks preferably following the direction of the main source of light. We recommend laying on wooden floors crossways to the existing floorboard. You should never nail or screw planks to the subfloor.

- Floor should be installed from several cartons at the same time to ensure good color, shade and appearance.

Expansion gaps: Even though Cali Bamboo® GeoWood Plank will have very minimal expansion and contraction it is still required to leave 3/8" expansion space around the perimeter as well as all fixed objects (tile, fireplace, cabinets).

- When installing using the glue down method the use of transition pieces becomes optional.
- To cover your expansion space, Cali Bamboo® carries matching bamboo flooring moldings that include reducers, t-moldings, baseboards, quarter rounds, and thresholds. Matching stair parts are also available; including stair nosing, treads and risers. Please visit Cali Bamboo's® Flooring Accessories webpage.

Tip: When installing around pipes, drill the hole 3/4" larger than the diameter of the pipes.

Installing the First Row:

1. Start out by pouring adhesive on to the subfloor. Make sure you do not pour out too much at one time. Cali Bamboo® does not recommend spreading more than an arm's length (6 to 8 feet) worth of adhesive at a time. This will help to ensure the glue does not flash over before you can adhere the planks.
2. Use tapping block as necessary to fit planks together but be careful not to let installed floor move on the wet adhesive while you are working. Repeat these steps as you move along with the installation.
3. It is recommended to start by installing the first 3 rows at the same time. This will help to minimize any shifting of the product.
4. Start by using a full plank to start the first row, roughly a half plank for the second row and roughly a quarter plank for the third row.
5. Once the 3 pieces have been installed continue by installing full planks on each row until you get to the end of each row.
6. The first 3 planks should be installed by angling the plank up slightly, pushing forward and interlocking the side tongue. The long side of the plank should fit snug with no gapping.

Next Steps:

7. Installing the second plank of the first row requires engaging the butt ends together. Please note the plank is not yet "locked" in place.
8. Install the second plank of the second row. Position the long side of the plank with the tongue side, fully engage into the receiver of the first row of product. Lower the plank to the floor insuring that the end joint is overlapping and perfectly aligned, with firm pressure; push the end joint downward till the end of the plank snaps in place.
9. Continue the installation by repeating step 6. It is important to make sure that the first three rows are straight and square as they can affect the entire installation.
10. Cut the final board in each row to proper length and install. If cut pieces are at least 8 inches in length, they can be used as starter pieces in another row. Caution when doing this make sure to not create a repeating pattern
11. Once the first three rows have been completed you can continue the install one row at a time.

Installing the Final Row:

12. The last row may need to be cut lengthwise (ripped). Make sure ripped piece is at least 2 inches in width.
13. Place the last row of boards to be fit on top of the last row of installed boards. Use a piece of plank or tile as a scribe to trace the contour of the wall.
14. Mark where the board will be cut. If the fit of the wall is simple and straight, simply measure for the correct fit and cut.
15. After boards are cut, position boards and tap all joints (long AND short ends) with the rubber mallet.

After Install/Floor Care Maintenance:

- To clean up dried glue use either Bostik Ultimate Adhesive Remover or Titebond Adhesive Remover cleaning wipes
- For Cleaning, we recommend dry or damp mopping as needed using Bona Professional cleaner or similar.
- Do not use anything abrasive or harsh chemicals to clean the floor. Never use any of the following products on your floor: ammonia-based cleaners, mineral spirits, acrylic finishes, wax-based products, detergents, bleach, polishes, oil soap, abrasive cleaning soaps, acidic materials such as vinegar.
- Never apply wax treatments or top coats to the floor.
- Do not drag furniture across the floor, use felt pads on chair and furniture legs.
- Keep pet's nails trimmed to avoid excess scratching.
- Sweep or vacuum the floor regularly to remove loose dirt. Do NOT use vacuums that use a beater bar or turn beater bar off.
- Place quality walk-off mats at all entrances to retain tracked in dirt, grit and moisture, never use latex or rubber backed mats as they can permanently stain the floor.
- Area rugs are also recommended in front of kitchen sinks and in high traffic areas.
- Although the Cali GeoWood Flooring is water resistant, it is still a best practice to avoid excessive moisture on the floor. Therefore, we recommend soaking up spills immediately using a dry towel or dry mop.
- Limit direct sunlight on floor by using curtains and blinds in areas that are exposed to high UV rays.
- Heating units or non-insulated ductwork close to the flooring or subfloor may cause "hot spots" which must be eliminated prior to installation.