



# P.A.C.E. Pre-Installation Checklist(s)

(888) 788-2254  
[www.CaliBamboo.com](http://www.CaliBamboo.com)

## Floating Click-Lock GeoWood Plank Installation

Before you begin installation, remember to P.A.C.E. yourself with the checklist below. Full installation instructions and maintenance guidelines can also be found online at [www.CaliBamboo.com](http://www.CaliBamboo.com)

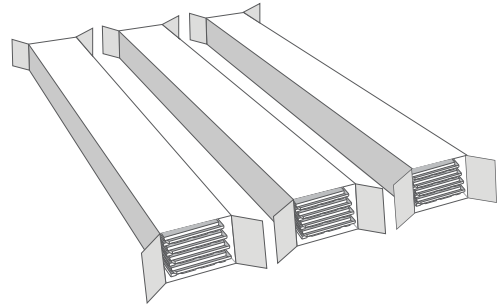
### P A C E PREPARE THE SUBFLOOR



#### Use 6mil Plastic on Concrete

Make sure the subfloor is flat, level, clean and free of debris. New concrete must be cured for at least 60 days. Test the subfloor moisture prior to installation and apply an appropriate moisture barrier such as 6mil Plastic on concrete subfloors.

### P A C E ACCLIMATE FLOORING



#### Acclimate Your GeoWood Flooring for 24 hrs

For GeoWood flooring, lay boxes flat on the floor and only open box ends as shown above. Acclimate your floor as close to the installation area as possible, for 24 hours in normal living conditions.

### P A C E CONTROL ENVIRONMENT

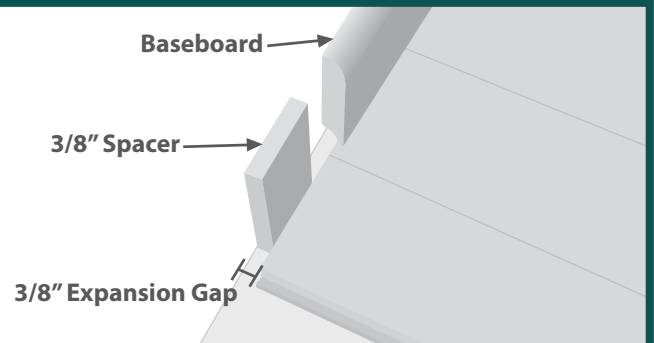


 50-100°F

 35-65% rH

GeoWood flooring can be used in areas ranging from 50°F to 100°F. The ideal indoor humidity range for GeoWood is 35-65% relative humidity.

### P A C E EXPANSION GAPS

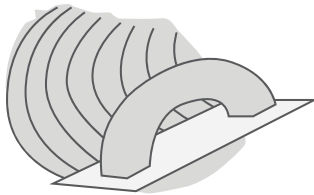


Leave at least 3/8" expansion spaces between flooring and ALL vertical objects (walls, cabinets, pipes, etc.) Large flooring runs may require additional expansion space. **Flooring runs over 40 feet require additional expansion space or transitional pieces.** Undercut door jambs and casings to provide adequate expansion space. Do not screw or nail cabinetry or other permanent fixtures to a floating floor.

## Glue Down GeoWood Plank Installation

Before you begin installation, remember to P.A.C.E. yourself with the checklist below. Full installation instructions and maintenance guidelines can also be found online at [www.CaliBamboo.com](http://www.CaliBamboo.com)

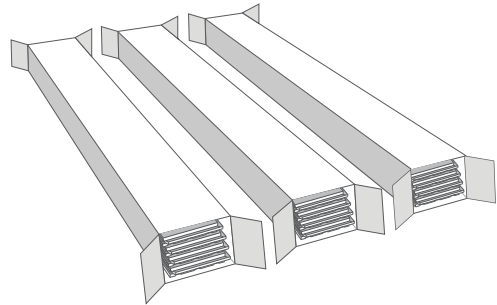
### P A C E PREPARE THE SUBFLOOR



#### Recommended Adhesive will act as Moisture Barrier

Make sure the subfloor is flat, level, clean and free of debris. New concrete must be cured for at least 60 days. Test the subfloor moisture prior to installation and apply an appropriate moisture barrier on concrete subfloors. (Required adhesive will act as moisture barrier.)

### P A C E ACCLIMATE FLOORING



#### Acclimate Your GeoWood Flooring for 24 hrs

For GeoWood flooring, lay boxes on the floor and only open box ends as shown above. Acclimate your floor as close to the installation area as possible, for 24 hours in normal living conditions.

### P A C E CONTROL ENVIRONMENT

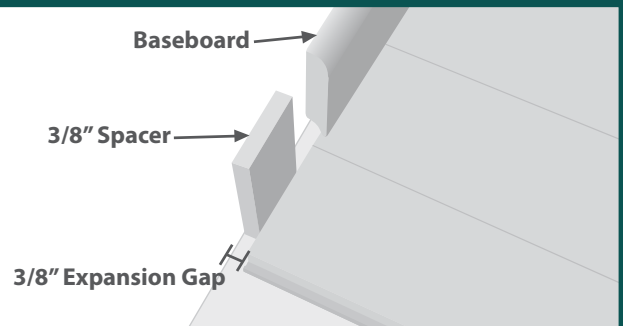


 50-100°F

 35-65% rH

GeoWood flooring can be used in areas ranging from 50°F to 100°F. The ideal indoor humidity range for GeoWood is 35-65% relative humidity.

### P A C E EXPANSION GAPS



Leave at least 3/8" expansion spaces between flooring and ALL vertical objects (walls, cabinets, pipes, etc.) Large flooring runs may require additional expansion space. **Transition pieces become optional with Glue-Down method.** Undercut door jambs and casings to provide adequate expansion space. Cali Bamboo® does not recommend screwing or nailing cabinetry or other permanent fixtures to the flooring.